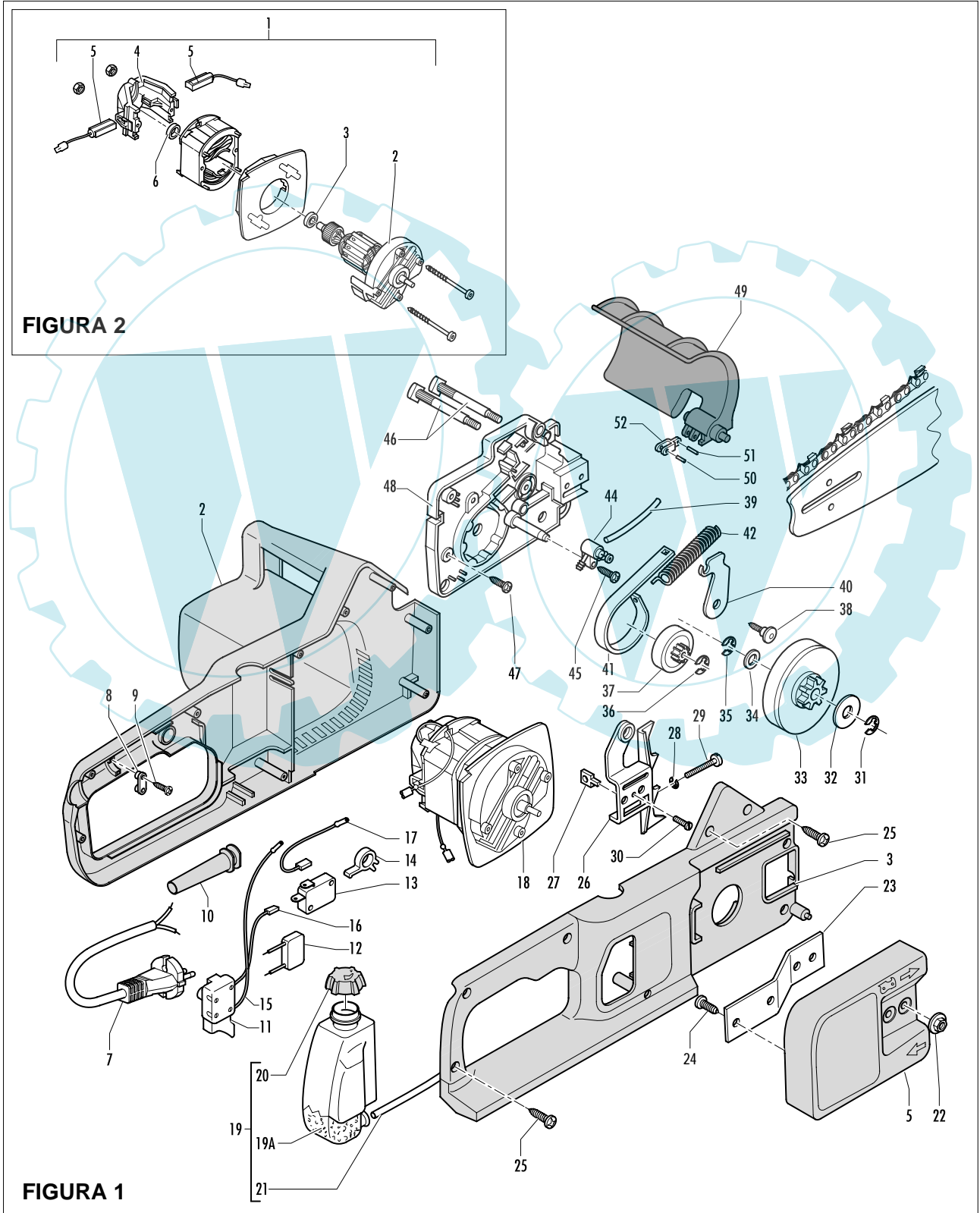


| | |
|-------|------------------|
| brand | McCULLOCH |
|-------|------------------|

| | | |
|------|--------|-----------|
| date | FEB/03 | SHEET 1/2 |
|------|--------|-----------|

| | |
|-------------------|--------|
| Model | Prefix |
| 235 SCHUKO | 02 |
| | |
| | |

| |
|------------------|
| Product number |
| 953900366 |
| |
| |



| | |
|-------|------------------|
| brand | McCULLOCH |
|-------|------------------|

| | | |
|------|--------|-----------|
| date | FEB/03 | SHEET 2/2 |
|------|--------|-----------|

| | |
|-------------------|--------|
| Model | Prefix |
| 235 SCHUKO | 02 |
| | |
| | |

| |
|------------------|
| Product number |
| 953900366 |
| |
| |

FIGURA 1

| pos | P/N McC | P/N ELX | Qty | DESCRIPTION |
|------|-----------------|-----------|-----|-------------------------------|
| 2 | 249134 | 538249134 | 1 | LEFT CRANKCASE KIT |
| 3 | 242776 | 538242776 | 1 | RIGHT CRANKCASE KIT |
| 5 | 247597 | 538247597 | 1 | PINION COVER |
| C 7 | 241050 | 538241050 | 1 | WIRE+PLUG (SCHUKO) |
| 8 | 241052 | 538241052 | 1 | CLAMP |
| 9 | 241077 | 538241077 | 2 | SCREW M4X14 |
| 10 | 241051 | 538241051 | 1 | WIRE PROTECTION |
| C 11 | 241053 | 538241053 | 1 | SWITCH NOISE REDUCTION DEVICE |
| 12 | 240794 | 538240794 | 1 | REDUCTION DEVICE |
| 13 | 229797 | 538229797 | 1 | MICRO SWITCH |
| 14 | 241048 | 538241048 | 1 | SWITCH LEVER |
| 15 | 241055 | 538241055 | 1 | MOTOR/SWITCH WIRE |
| 16 | 241056 | 538241056 | 1 | SWITCH/ WIRE |
| 17 | 241057 | 538241057 | 1 | MICROSWITCH WIRE |
| 18 | 241057 | 538241057 | 1 | MOTOR SWITCH WIRE |
| C 18 | FIGURA 2 | | | |
| C 19 | 4305 | 538004305 | 1 | OIL TANK ASSY |
| 19A | 242365 | 538242365 | 1 | OIL FILTER |
| B 20 | • 241060 | 538241060 | 1 | OIL CAP |
| C 21 | • 242402 | 538242402 | 1 | OIL TUBE |
| A 22 | 242501 | 538242501 | 2 | NUT M6 |
| C 23 | 241065 | 538241065 | 1 | PINION COVER PLATE |
| 24 | 241077 | 538241077 | 1 | SCREW M4X14 |
| 25 | 240862 | 538240862 | 8 | SCREW M4X18 |
| 26 | 241036 | 538241036 | 1 | SPIKE CHAIN TENSIONER NUT |
| A 27 | 241037 | 538241037 | 1 | TENSIONER NUT |
| B 28 | 235367 | 538235367 | 1 | BENZING D.4 |
| B 29 | 241167 | 538241167 | 1 | SCREW M5X30 |
| 30 | 229082 | 538229082 | 1 | SCREW M 2,9X 9,5 |
| B 31 | 229137 | 538229137 | 1 | D.8 RING |
| C 32 | 241075 | 538241075 | 1 | 10X30X0,8mm WASHER |
| B 33 | 241038 | 538241038 | 1 | ES GEAR ASSY |

| pos | P/N McC | P/N ELX | Qty | DESCRIPTION |
|------|----------|-----------|-----|--------------------------|
| C 34 | 241074 | 538241074 | 1 | 10X15X1mm WASHER |
| 35 | 229137 | 538229137 | 1 | D.8 RING |
| 36 | 241073 | 538241073 | 1 | D 8 mm. SEEGER RING |
| 37 | 241041 | 538241041 | 1 | PINION |
| 38 | 241045 | 538241045 | 1 | SCREW M 4X14 |
| 39 | 229743 | 538229743 | 1 | OIL TUBE |
| 40 | 241044 | 538241044 | 1 | LEVER |
| 41 | 241500 | 538241500 | 1 | BRAKE METAL STRIPPING |
| 42 | 241451 | 538241451 | 1 | BRAKE SPRING |
| B 44 | 241183 | 538241183 | 1 | OIL PUMP ASSY |
| 45 | 240862 | 538240862 | 1 | SCREW M4X18 |
| A 46 | 241035 | 538241035 | 2 | SCREW |
| 47 | 240862 | 538240862 | 5 | SCREW M4X18 |
| 48 | 241029 | 538241029 | 1 | MOTOR HOLDER |
| C 49 | 247717 | 538247717 | 1 | BRAKE LEVER ASSY(BLACK) |
| 50 | • 229394 | 538229394 | 1 | NEEDLE BEARING |
| 51 | • 241144 | 538241144 | 1 | PIN |
| 52 | • 241043 | 538241043 | 1 | TOGGLE |

FIGURA 2 1500W

| pos | P/N McC | P/N ELX | Qty | DESCRIPTION |
|-----|------------|-----------|-----|----------------|
| C 1 | 241031 | 538241031 | 1 | MOTOR |
| C 2 | • 00258744 | 538058744 | 1 | ROTOR |
| C 3 | • 00216404 | 538216404 | 1 | BEARING |
| C 4 | • 00248957 | 538648957 | 1 | BRUSHES HOLDER |
| C 5 | • 00248956 | 538648956 | 2 | BRUSHES |
| C 6 | • 00216400 | 538216400 | 1 | BEARING |

A=ALTA ROTAZIONE
B=MEDIA ROTAZIONE
C=BASSA ROTAZIONE

A=HIGH MOVING
B=MEDIUM MOVING
C=SLOW MOVING

A=HAUTE DEMANDE
B=MOYENNE DEMANDE
C=BASSE DEMANDE

A=GROßE NACHFRAGE
B=MITTELMAßIGE
C=WENIGE NACHFRAGE